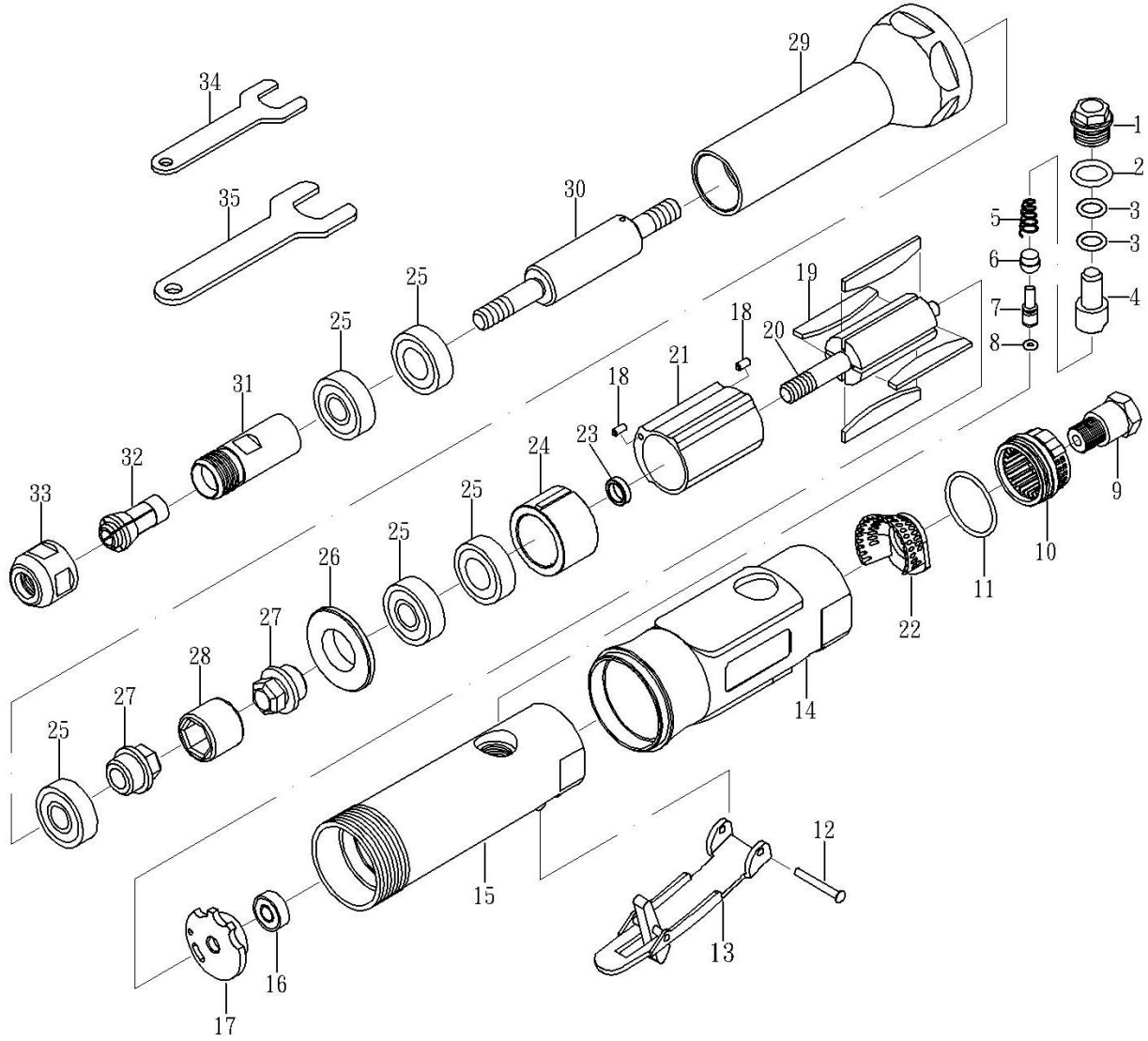


# OS-200L **GAV** HAVALI KALIPÇI TAŞLAMA



| NO. | PARÇA ADI          | ADET | NO. | PARÇA ADI           | ADET |
|-----|--------------------|------|-----|---------------------|------|
| 01  | SCREW              | 1    | 19  | ROTOR BLADE         | 4    |
| 02  | O-RING             | 1    | 20  | ROTOR               | 1    |
| 03  | O-RING             | 2    | 21  | CYLINDER            | 1    |
| 04  | AIR REGULATOR      | 1    | 22  | CONE MUFFLER        | 1    |
| 05  | SPRING             | 1    | 23  | BEARING SPACER      | 1    |
| 06  | VALVE STEM BUSHING | 1    | 24  | FRONT PLATE         | 1    |
| 07  | VALVE STEM         | 1    | 25  | BEARING(608ZZ)      | 5    |
| 08  | O-RING             | 1    | 26  | WASHER              | 1    |
| 09  | AIR INLET          | 1    | 27  | COUPLING NUT        | 2    |
| 10  | EXHAUST SLEEVE     | 1    | 28  | COUPLING            | 1    |
| 11  | O-RING             | 1    | 29  | SPINDLE HOUSING     | 1    |
| 12  | SPRING PIN         | 1    | 30  | SPINDLE (SHAFT)     | 1    |
| 13  | LEVER              | 1    | 31  | SPINDLE             | 1    |
| 14  | PROTECTING RUBBER  | 1    | 32  | COLLET              | 1    |
| 15  | HOUSING            | 1    | 33  | COLLET NUT          | 1    |
| 16  | BEARING            | 1    | 34  | STOP SPANNER (14MM) | 1    |
| 17  | REAR PLATE         | 1    | 35  | STOP SPANNER (19MM) | 1    |
| 18  | PIN                | 2    |     |                     |      |